

LWS-K VERSION - 1750 RPM

ITEM	PART No.	KIT	DESCRIPTION	Qty.	MODELS
80	2409.0077.00	E-F	PISTON ROD	1	
81	1210.0406.00	E-F	O-RING	1	
82	0009.0206.00	E-F	BACK-UP RING	1	
83	0009.0207.00	E	SEAT	1	
84	1802.0181.00	E	SPRING	1	2010 E - 3015 S 3019 S - 3517 S
	1802.0182.00	E	SPRING	1	3025 S - 3525 S 4020 S
86	0204.0043.00	E	ADJUSTABLE KNOB	1	2010 E - 3015 S 3019 S - 3517 S
	0204.0046.00	E	ADJUSTABLE KNOB	1	3025 S - 3525 S 4020 S
87	1215.0213.00		PRESS. VALVE KIT 1885 p.s.i.	1	2010 E - 3015 S 3019 S - 3517 S
	1215.0218.00		PRESS. VALVE KIT 2610 p.s.i.	1	3025 S - 3525 S 4020 S
88	1817.0045.00		HANDLE	1	
89	1802.0180.00		SPRING	1	
90	3003.0026.00		BALL	1	
91	2812.0067.00		WASHER	1	
92	2803.0373.00		NIPPLE	1	
93	1210.0401.00		O-RING	1	
94	1210.0399.00		O-RING	1	
95	2801.0060.00		HOSE BARB FITTING	1	
96	1210.0400.00		O-RING	1	
97	0015.0171.00		ROD	1	
98	1817.0046.00		CHEMICAL KNOB	1	
99	3301.0543.00		ADJUSTABLE INJECTOR KIT	1	
100	3622.0030.00	E	STOP ADJUSTABLE NUT M4X4	1	
101	1227.0022.00	E	NUT	1	

S version

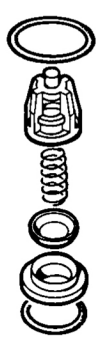
ITEM	PART No.	KIT	DESCRIPTION	Qty.	MODELS
40	0019.0094.00	D	OIL SEAL 25X62X70/7 mm	1	
41	3019.0006.00		SNAP RING C72	1	
42	3020.0012.00		SNAP RING C72	1	
43	0438.0071.00		BALL BEARING 25X62X17 mm	1	3025 S - 3525 S 4020 S
	0438.0075.00		BALL BEARING 25X62X17 mm	1	2020 S - 3015 S 3019 S - 3517 S
44	1602.0045.00		KEY 8X7X25 mm	1	
45	0001.0290.00		CRANKSHAFT Ø24 mm	1	3517 S - 3525 S
	0001.0294.00		CRANKSHAFT Ø24 mm	1	4020 S
	0001.0333.00		CRANKSHAFT Ø24 mm	1	2020 S - 3015 S 3019 S - 3025 S

E version

ITEM	PART No.	KIT	DESCRIPTION	Qty.	MODELS
52	3609.0032.00		SCREW M6X20	4	
53	3016.0016.00		FLANGE	1	
54	3607.0200.00		SCREW 3/8"16X3/4"	4	
55	0019.0075.00	D	OIL SEAL 35X62X 7 mm	1	
56	3019.0004.00		SNAP RING C72	1	
57	3020.0012.00		SNAP RING C72	1	
58	2812.0064.00		WASHER	1	
59	0438.0015.00		BALL BEARING 35X62X14 mm	1	
60	0001.0338.00		CRANKSHAFT 5/8"	1	

COMPLETE VALVE KIT
5025.0011.00

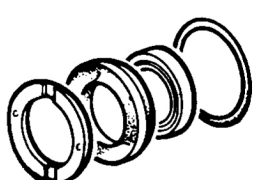
KIT A



ITEM	PART No.	Qty.
4	1210.0046.00	6
5	3009.0087.00	6
6	3604.0017.00	6
7	1802.0177.00	6
8	1205.0025.00	6
9	1210.0048.00	6

PISTON SEAL KIT
Ø 15 mm 5019.0035.00 - Ø 18 mm 5019.0037.00

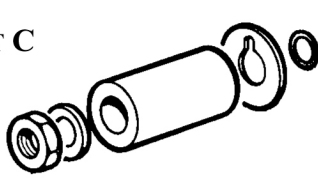
KIT B



5019.0035.00			5019.0037.00		
POS. ITEM	CODICE PART No.	Q.tà Qty.	POS. ITEM	CODICE PART No.	Q.tà Qty.
20	0009.0196.00	3	20	0009.0193.00	3
21	1241.0034.00	3	21	1241.0035.00	3
22	1241.0030.00	3	22	1241.0028.00	3
24	1210.0223.00	3	24	1210.0223.00	3

PISTON KIT
Ø 15 mm 2409.0071.00 - Ø 18 mm 2409.0072.00

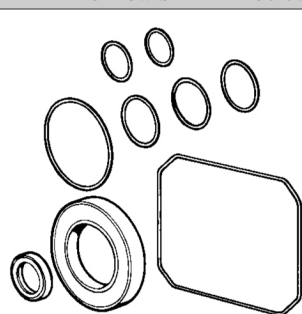
KIT C



2409.0071.00			2409.0072.00		
ITEM	PART No.	Qty.	ITEM	PART No.	Qty.
26	0600.0048.00	3	26	0600.0048.00	3
27	2811.0080.00	3	27	2811.0080.00	3
28	0202.0020.00	3	28	0202.0018.00	3
29	2812.0038.00	3	29	2812.0038.00	3
30	1210.0055.00	3	30	1210.0055.00	3

SEAL KIT
SOLID SHAFT 5019.0040.00
HOLLOW SHAFT 5019.0041.00

KIT D



5019.0040.00			5019.0041.00		
ITEM	PART No.	Qty.	ITEM	PART No.	Qty.
4	1210.0046.00	6	4	1210.0046.00	6
9	1210.0048.00	6	9	1210.0048.00	6
14	1210.0386.00	1	14	1210.0386.00	1
24	1210.0223.00	3	24	1210.0223.00	3
25	0019.0095.00	3	25	0019.0095.00	3
30	1210.0055.00	3	30	1210.0055.00	3
36	1210.0333.00	1	36	1210.0333.00	1
37	1210.0206.00	1	37	1210.0206.00	1
40	0019.0094.00	1	46	1210.0441.00	1
46	1210.0441.00	1	55	0019.0075.00	1